



Meaningful Innovation.

WEEE Number: 80133970

INSTRUCTION MANUAL LED FLOOD LIGHT



SUPER BRIGHT
135+
LM/WATT EFFICIENCY

IP65
RATING
02 YEAR WARRANTY

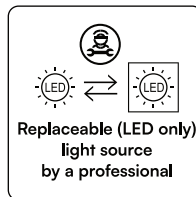
TECHNICAL DATA

MODEL	VT-48500
SKU	23089, 97212
LUMENS	67500 Lm
WATTS	500W
INPUT VOLTAGE	AC: 220-240V, 50Hz
BEAM ANGLE	Sphere 360°
LIFE SPAN	25,000 Hours
ON/OFF CYCLE	>15,000
DF	>0.9
CRI	>70
MATERIAL	Diecast Aluminium
OPERATION TEMPERATURE	-20°C to +45°C
DIMENSION	530x65x523mm

*This product contains a light source of energy efficiency class<D>, where <D> shall be replaced by the energy class of the contained light source.

INTRODUCTION & WARRANTY

Thank you for selecting and buying V-TAC product. V-TAC will serve you the best. Please read these instructions carefully before starting the installation and keep this manual handy for future reference. If you have any another query, please contact our dealer or local vendor from whom you have purchased the product. They are trained and ready to serve you at the best. The warranty is valid for 2 years from the date of purchase. The warranty does not apply to damage caused by incorrect installation or abnormal wear and tear. The company gives no warranty against damage to any surface due to incorrect removal and installation of the product. The products are suitable for 10-12 Hours Daily operation. Usage of product for 24 Hours a day would void the warranty. This product is warranted for manufacturing defects only.



MULTI-LANGUAGE MANUAL QR CODE

Please scan the QR code to access the manual in multiple languages.

WARNING

- Please make sure to turn off the power before starting the installation.
- Installation must be performed by a qualified electrician.
- The light source of this luminaire is not replaceable, when the light source reaches its end of life the whole luminaire should be replaced.
- If the external flexible cable or cord of this luminaire is damaged, it shall be exclusively replaced by the manufacturer or his service agent or a similar qualified person in order to avoid a hazard.
- Replace any cracked protective shield.
- Minimum distance from lighted objects 1m.
- Terminal block not included.
- Proper grounding should be ensured throughout the installation.



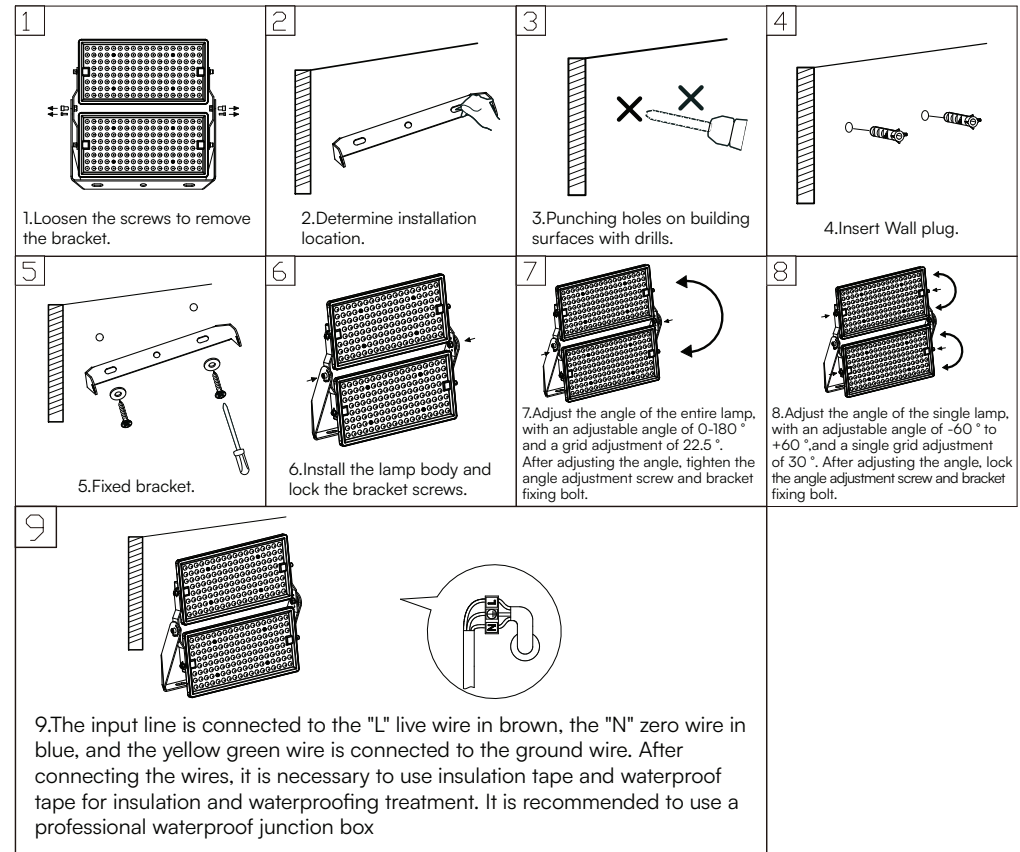
This marking indicates that this product should not be disposed of with other household wastes.



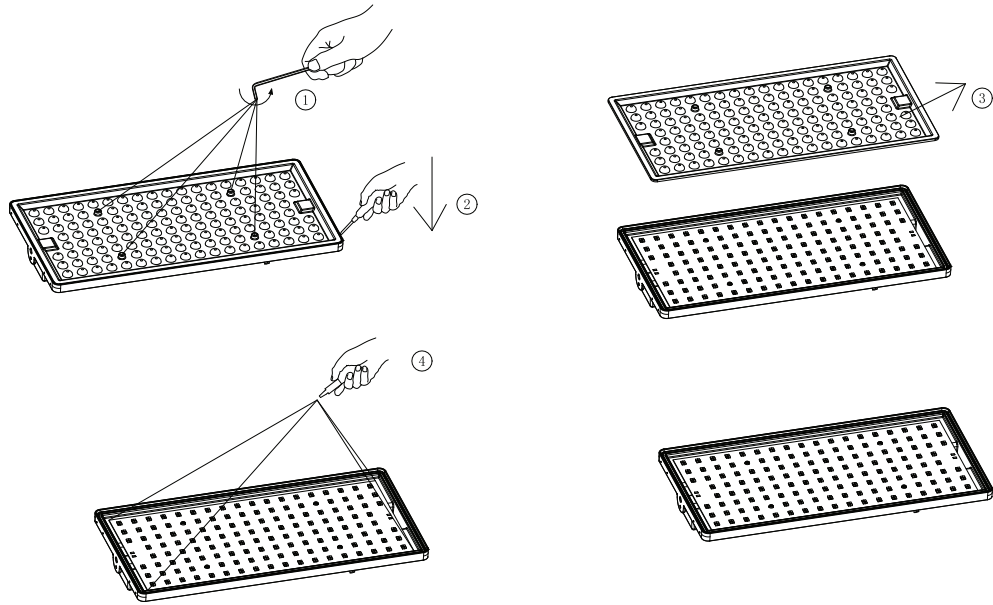
Caution, risk of electric shock.

NOTE: To reduce the risk of strangulation the flexible wiring connected to this luminaire shall be effectively fixed to the wall if the wiring is within arm's reach.

INSTALLATION DIAGRAM



DISASSEMBLY DIAGRAM



IN CASE OF ANY QUERY/ISSUE WITH THE PRODUCT, PLEASE REACH OUT TO US AT: SUPPORT@V-TAC.EU
FOR MORE PRODUCTS RANGE, INQUIRY PLEASE CONTACT OUR DISTRIBUTOR OR NEAREST DEALERS.
V-TAC EUROPE LTD. BULGARIA, PLOVDIV 4000, BUL.L.KARAVELOW 9B